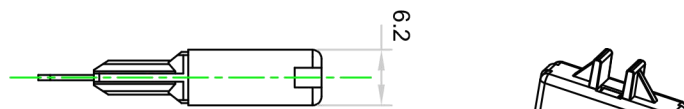
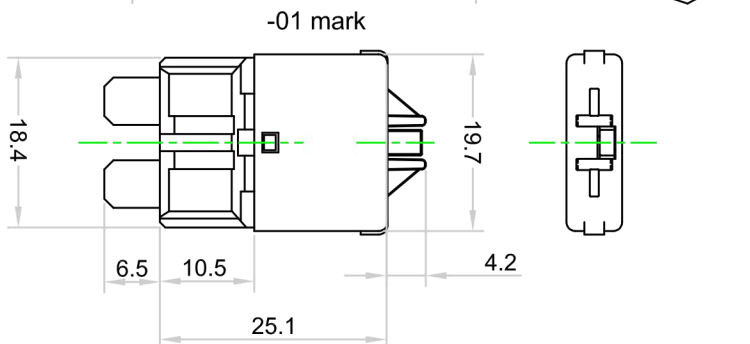
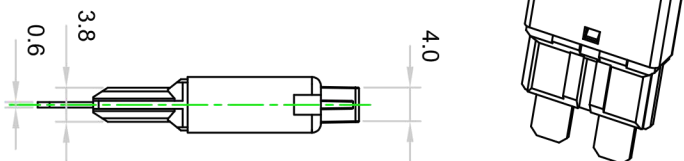


Type 1, Type 2
12 Vdc



Type 3,
manual reset
28 Vdc



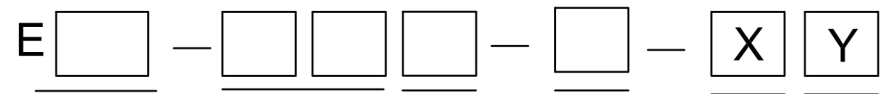
mark
xx= rate current
yy= week code
Z = year code

a=K(std)
or F(fast)



- Color code
- 03-3A: purple
 - 05-5A: LT. brown
 - 06-6A: moss green
 - 75-7.5A: brown
 - 10-10A: red
 - 15-15A: blue
 - 20-20A: yellow
 - 25-25A: white
 - 30-30A: green
 - 40-40A: orange

| REV | Item | Date | Description | Revised By | Remark |
|-----|------|------|-------------|------------|--------|
| A/2 | 1 | | | | |
| | 2 | | | | |
| | 3 | | | | |



E37-T1 Rate current: 03-3A(K-type only)
E38-T2 05-5A, 75-7.5A,
E39-T3 10,15, 20, 25, 30,
40A(F-type only)

OP time
K: standard
F: Fast

Voltage
4: 14Vdc
8: 28Vdc
2: 32Vdc

X: package code
- 0, bluk packed
- 2, by boxed
- 3, by blister
- 4, clam shell
- 7, PE packed

Y: mark code
0 - IG. PROTECTED
1 - std. mark
2 - blank, no any mark
y - consult factory
for special mark

Single Pole Thermal Type Breakers

E37, T1-14Vdc - auto reset, 28Vdc consult to factory
E38, T2-14Vdc - modified reset
E39, T3-32Vdc - manual reset

Rating: 3-30A (K-Type), 5-40A (F-Type)
Breaking capacity: >100 cycles @ ISO std.
Ultimate interrupt: 2000A @ 32Vdc, 150A x 3
Endurance: >100 cycles @ 4Ir, 50A x 300
Voltage drop: <150 mV
Vibration: according SAE J1455

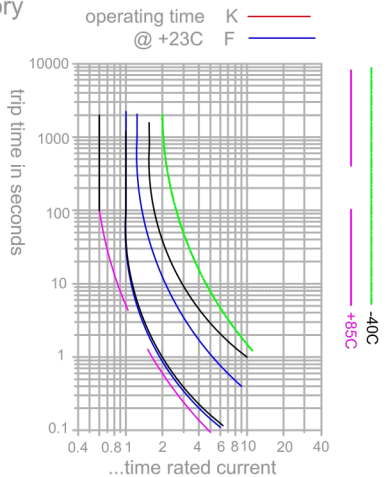
Operating Temperature Rating:
-40F(-40C) to 185F(85C)
Storage Temperature Rating:
-40F(-40C) to 260F(125C)

Materials:
UL-Rate 94V-0 thermoplastic body.
Tin-plated copper alloy terminals

Marking: Color-code to amperage.
03-3A (purple) 05-5A (light brown, tan)
06-6A (moss green) 75-7.5A (brown)
10-10A (red) 15-15A (blue)
20-20A (yellow) 25-25A (white)
30-30A (green) 40-40A (orange)

Termination:
5.2mm wide blades
meet ATC type fuse block.

Compliance:
SAE J553, ISO10924-4 (all series)
UL1500, SAE J1171, Ignition protected.



| operating time | by sec. | K (std) | F (fast) |
|----------------|---------------------|---------|----------|
| | 0.7 I _R | >3600 | >3600 |
| | 1 I _R | >1800 | >1800 |
| | 1.1 I _R | >10 | >7 |
| | 1.35 I _R | 3-600 | 3-120 |
| | 1.6 I _R | 2-120 | 2-50 |
| | 2 I _R | 1-40 | 1-12 |
| | 3.5 I _R | 0.35-6 | 0.35-2.6 |
| | 6 I _R | 0.13-2 | 0.13-0.8 |

| derating factor | ambient temp. | factor | ambient temp. | factor |
|-----------------|---------------|--------|---------------|--------|
| | -40F/-40C | 0.73 | +73F/+23C | 1 |
| | -22F/-30C | 0.78 | +104F/+40C | 1.09 |
| | -4F/-20C | 0.82 | +122F/+50C | 1.16 |
| | +14F/-10C | 0.86 | +140F/+60C | 1.25 |
| | +32F/0C | 0.91 | +158F/+70C | 1.33 |
| | +50F/+10C | 0.95 | +185F/+85C | 1.43 |

cross to 227
1610(std)
1616(fast)

| | | | | |
|--|---------------|----------|------------|-------|
| 0<1 ± 0.05 | 18<50 ± 0.4 | Material | Parts no | E379 |
| 0<6 ± 0.2 | 50<120 ± 0.5 | | Drawing by | 宋铁强 |
| 6<18 ± 0.3 | 120<250 ± 0.6 | Date | Check by | 万文 |
| Tolerance unless otherwise specified, unit in mm | | Issue | Approve by | 楊林 |
| | | | Drawing no | E3_79 |
| | | | Model code | |

